

Power Requirements : 110/220V. 60/50Hz. AC (%±10) 24V. DC at standby ~11W. max. ~60W.

Dimensions : 500x955x300 + arm length (470mm)

Arms : Single-sided. Ø40mmx2mm 304-Grade (Opt. 316-Grade) Stainless steel (Opt. anodised hard aluminium). Arms can be dismantled or mounted one by one separately.

Body Features : 304-Grade (Opt. 316-Grade) Stainless steel with brushed (Opt. Satin) surface protected against water for outdoors use.

Indicator Features : Green Arrow & Red Cross LED

Operating Temperature, Humidity, IP Rating, MCBF
 : -20°C to +68°C (Opt. -50°C with heater unit) / RH 95% non-condensing / IP 54 Outdoor Model (Opt. IP 56) / 1M Cycles

Control System : All inputs are opto-coupler protected .Controlled by dry contact or grounding input. Compatible with all access control systems that provide dry contact or grounding outputs. Optional RS232/RS485/TCP IP control module is available.

Operation : Bi-directional passage, manually (Opt. Motorized) operated system.

Output Data : The system provides dry contact passage feedback by relays.

Emergency Mode : (Standard: Fail Safe); in case of power failure or emergency, the arms rotate freely to allow rapid passage (Opt. Fail Secure).

Flow Rate : Capacity of Mechanism (Manual System): ~90 passages/minute
Nominal: ~25 - 46 passage-per-minute (Recommended reference figure)

❖ **Explanatory Notes:**

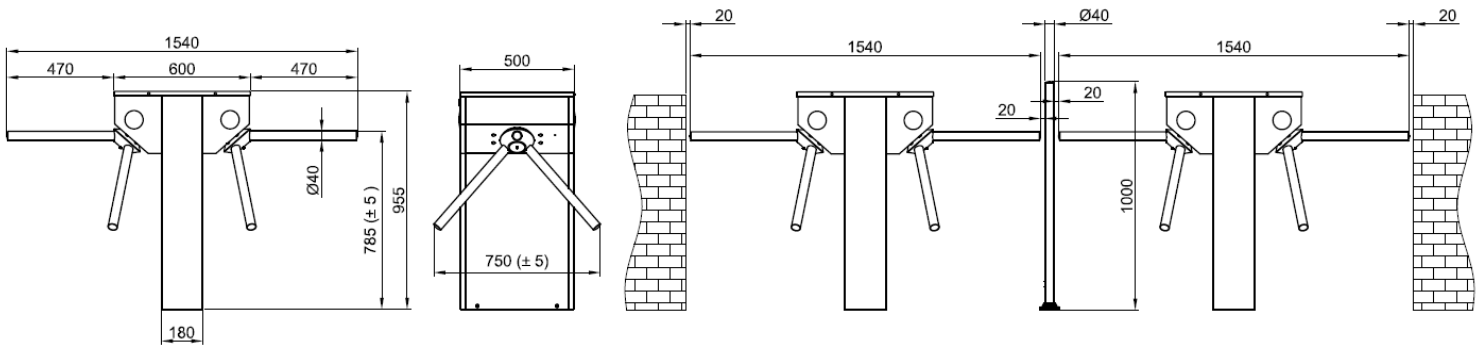
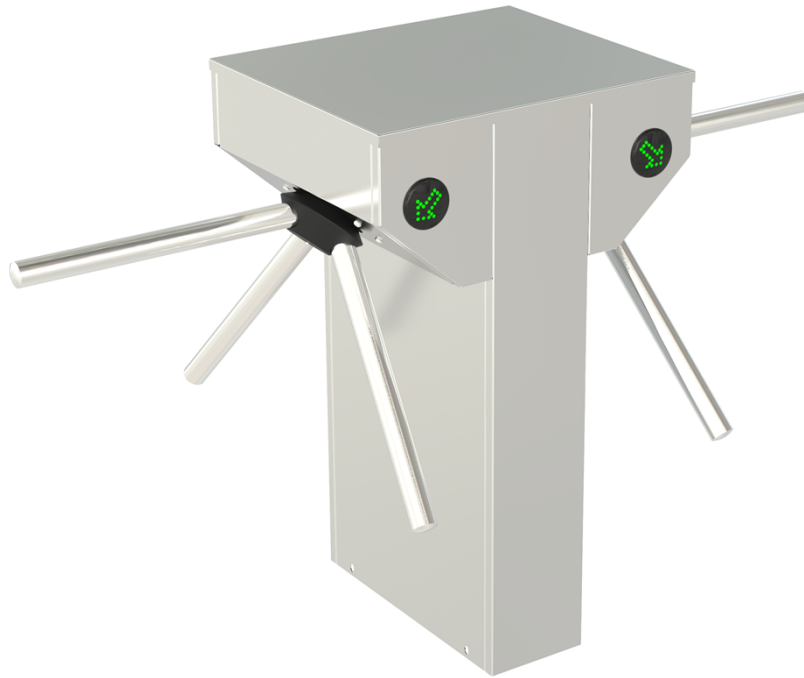
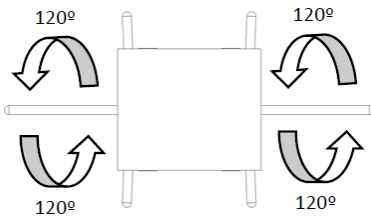
- The above given figures are approximate for one person per walkway or lane.
- The system allows the new passage authorisation in less than ~0, 3 seconds. After the passage authorization, the total passage time depends on the pushing and passage speed of the people.
- Utilisation of different access control units can change the flow rate.

Standard Features : Direction and status indicators

Optional Accessories and Applications:

Remote control units, interface unit for PC, RS485, RS232 and LAN, counter, audio-messaging system, motor driven unit, automatic drop (retractable) arm, alarm sensor, heater positive unit, coin slot/intelligent coin system and coin box, card reader pole, pipe barrier (separator), floor mounting plate.

**Design and specifications are subject to change without notice.*



Power Requirements : 110/220V. 60/50Hz. AC (%±10) 24V. DC at standby ~11+11W. max. ~60+60W.

Dimensions : 500x955x600 + arm length (2x470mm)

Arms : Double-sided. Ø40mmx2mm 304-Grade (Opt. 316-Grade) Stainless steel (Opt. anodised hard aluminium). Arms can be dismantled or mounted one by one separately.

Body Features : 304-Grade (Opt. 316-Grade) Stainless steel with brushed (Opt. Satin) surface protected against water for outdoors use.

Indicator Features : Green Arrow & Red Cross LED

Operating Temperature, Humidity, IP Rating, MCBF
 : -20°C to +68°C (Opt. -50°C with heater unit) / RH 95% non-condensing / IP 54 Outdoor Model (Opt. IP 56) / 1M Cycles

- Control System** : All inputs are opto-coupler protected .Controlled by dry contact or grounding input. Compatible with all access control systems that provide dry contact or grounding outputs. Optional RS232/RS485/TCP IP control module is available.
- Operation** : Bi-directional passage, manually (Opt. Motorized) operated system.
- Output Data** : The system provides dry contact passage feedback by relays.
- Emergency Mode** : (Standard: Fail Safe); in case of power failure or emergency, the arms rotate freely to allow rapid passage (Opt. Fail Secure).
- Flow Rate** : Capacity of Mechanism (Manual System): ~90 passages/minute (for double-sided 90+90=180)
Nominal: ~25 - 46 passages/minute (Recommended reference figure)
- ❖ **Explanatory Notes:**
 - The above given figures are approximate for one person per walkway or lane.
 - The system allows the new passage authorisation in less than ~0, 3 seconds. After the passage authorization, the total passage time depends on the pushing and passage speed of the people.
 - Utilisation of different access control units can change the flow rate.
- Standard Features** : Direction and status indicators
- Optional Accessories and Applications:**
Remote control units, interface unit for PC, RS485, RS232 and LAN, counter, audio-messaging system, motor driven unit, automatic drop (retractable) arm, alarm sensor, heater positive unit, coin slot/intelligent coin system and coin box, card reader pole, pipe barrier (separator), floor mounting plate.

**Design and specifications are subject to change without notice.*